

Kol. Opis

1 ALPHA2 25-60 N 180



Paznja! Slika proizvoda se može razlikovati od stvarnog proizvoda

Proizvodni broj: [99411424](#)

Grundfos ALPHA2 high-efficiency circulator pumps are designed for circulating liquids in heating systems. The stainless-steel variant of the ALPHA2 is suitable for e.g. domestic hot-water systems. With an energy efficiency index (EEI) well below the ErP benchmark, it ensures substantial energy savings.

The AUTOADAPT function continuously adapts the pump performance to the actual heat demand, i.e. the size of the system and changing heat demand during the year.

The AUTOADAPT feature finds the setting that provides optimal comfort with minimal energy consumption and makes the commissioning fast, safe, and easy.

ALPHA2 also offers proportional-pressure, constant-pressure and constant-curve control modes.

With the automatic night setback function, the pump automatically changes between normal duty and night setback.

The changeover depends on the flow-pipe temperature controlled by the heating appliance.

In manual summer mode, the pump does not operate but starts automatically at low speed to avoid blocking the rotor as well as sticky valves and non-return valves.

Control modes and functions are selected using the buttons on the display. The LEDs indicate the operating status, actual power consumption in watt or actual flow rate in m³/h as well as warnings and alarms.

Furthermore, ALPHA2 is compatible with ALPHA Reader and the Grundfos GO Balance app, enabling installers to perform easy hydronic balancing of radiator- and underfloor-heating systems.

The design and chosen materials of the pump contribute to long life.

The pump is self-venting through the system, which contributes to easy commissioning.

The compact design, featuring a pump head with an integrated control box, fits into most common installations.

Pump and motor form an integral unit without a shaft seal.

The bearings are lubricated by the pumped liquid.

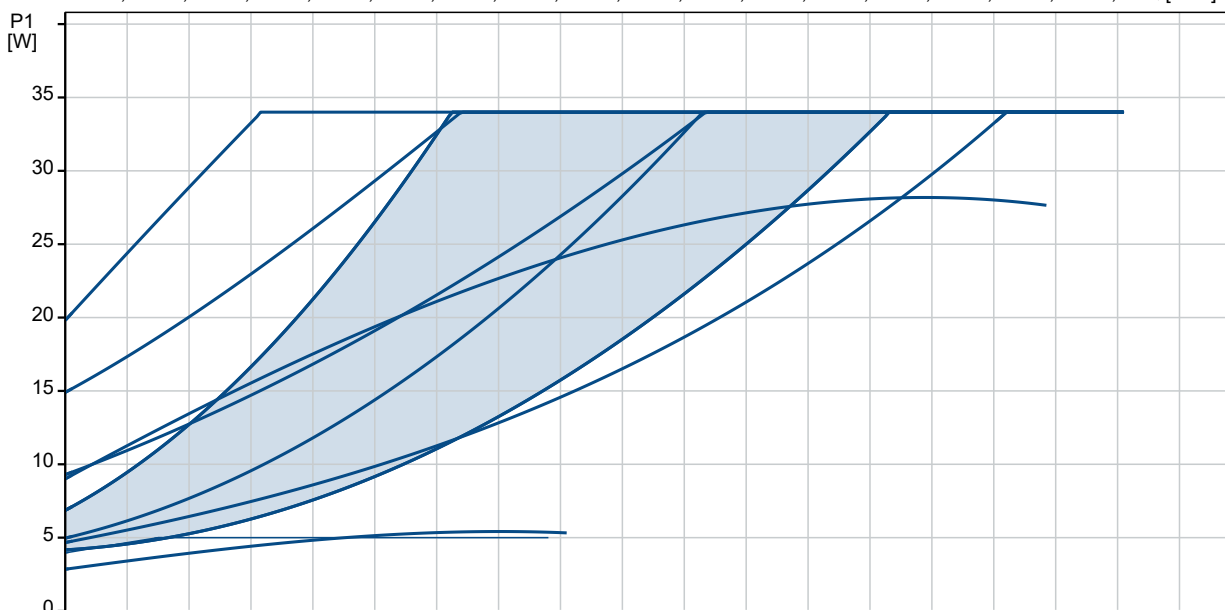
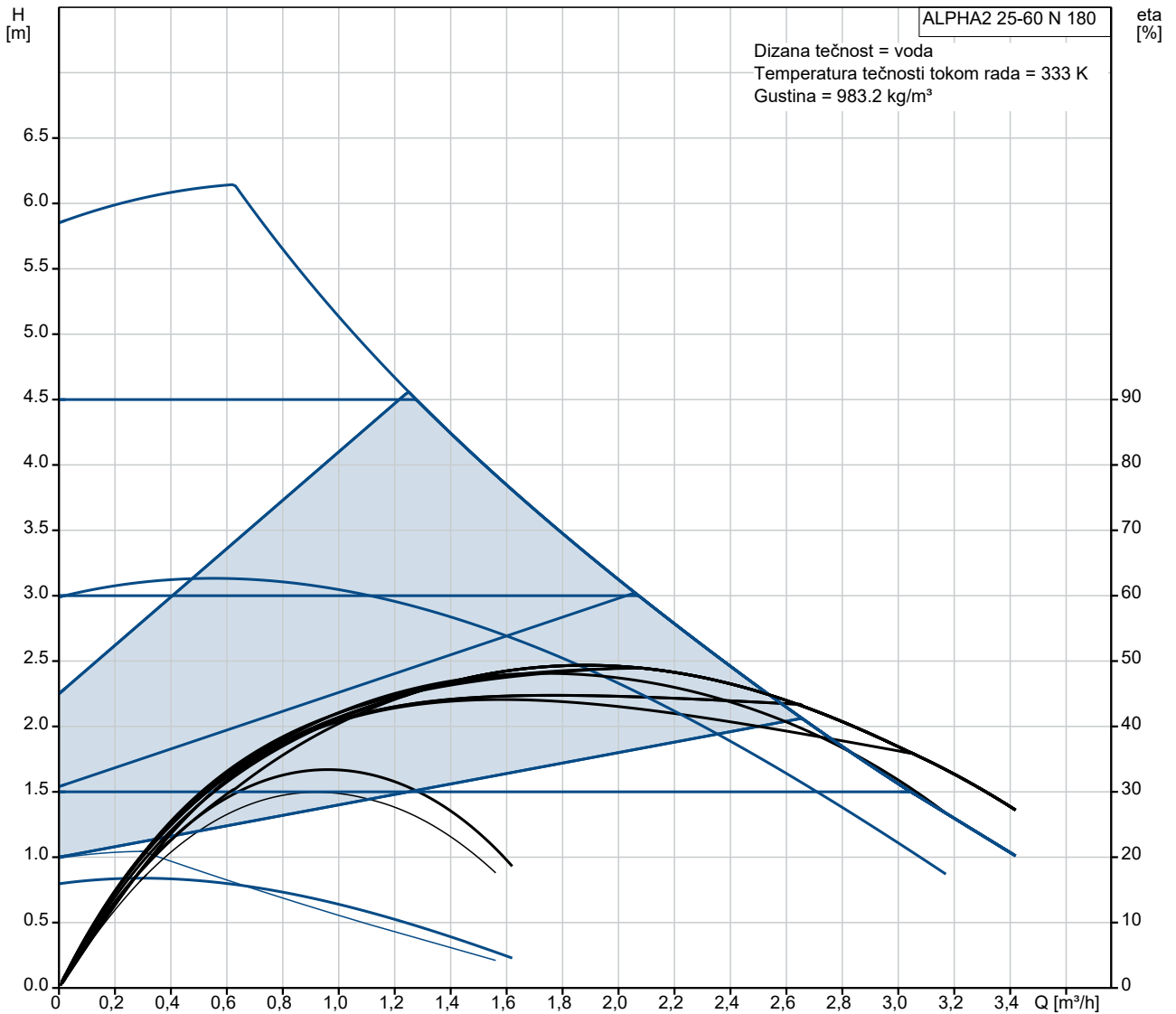
These constructional features ensure maintenance-free operation.

The active dry-running protection feature protects the pump against dry running during startup and normal operation. In case of a blocked rotor, the pump will continuously attempt to restart with highest possible torque.

Pump housings made of cast iron are electrocoated to improve corrosion resistance. The motor is a synchronous permanent-magnet/compact-stator motor characterised by high efficiency. The pump speed is controlled by an integrated frequency converter incorporated in the control box.

Insulating shells are supplied with pumps to minimise heat loss in heating systems.

99411424 ALPHA2 25-60 N 180



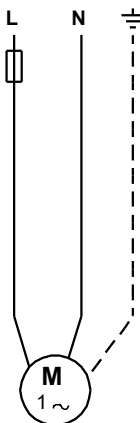
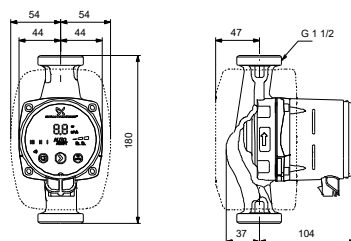
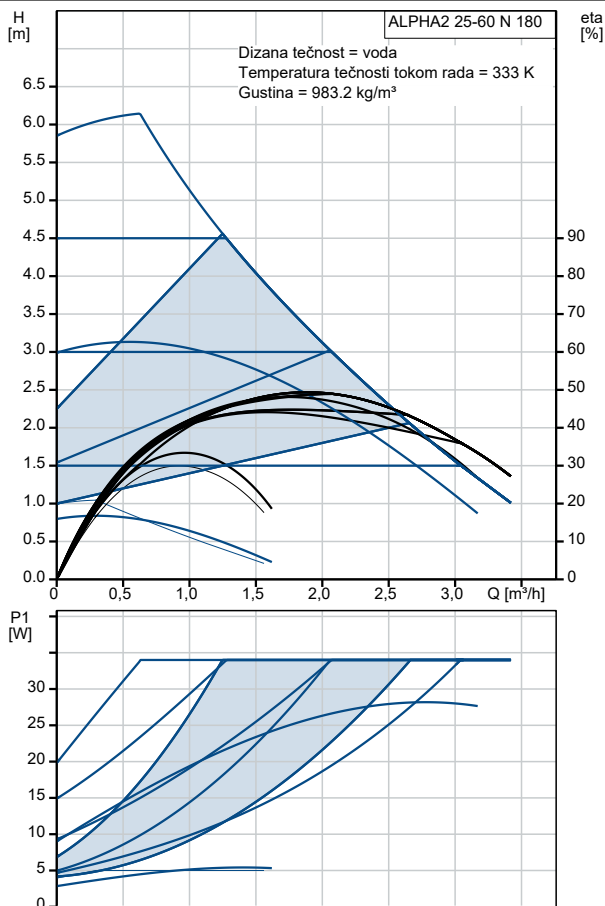
Naziv firme:

Napravio:

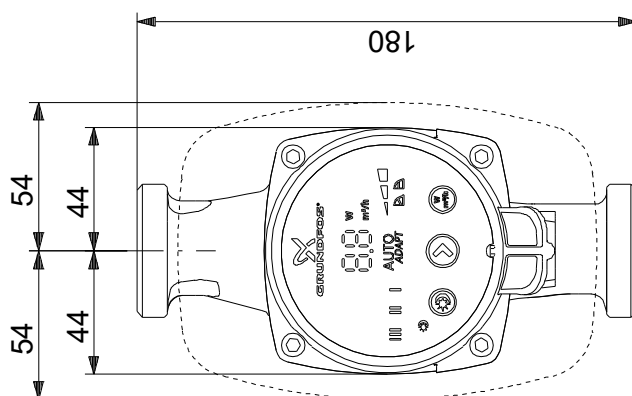
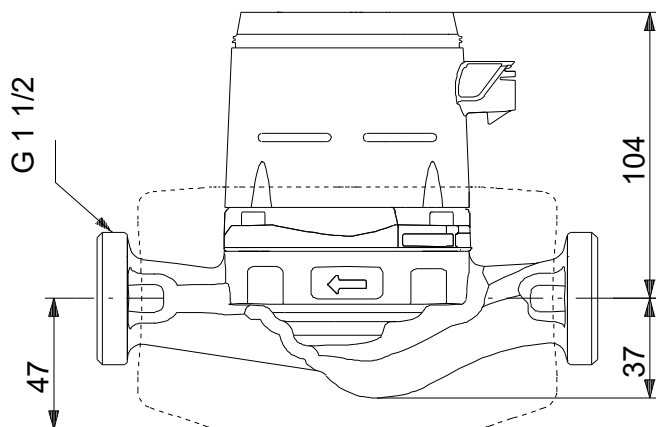
Telefon:

Datum: 21.1.2022.

Opis	Vrednost
Opšte informacije:	
Ime proizvoda::	ALPHA2 25-60 N 180
Šifra proizvoda:	99411424
EAN broj::	5713828679895
Cena:	€ 559.83
Tehnički:	
Visina max.:	6 m
TF klasa:	110
Saglasnosti na natpisnoj pločici:	CE,VDE,EAC,RCM
Model:	E
Materijali:	
Kućište pumpe:	Nerdajući čelik
Kućište pumpe:	EN 1.4308
Kućište pumpe:	ASTM 351 CF8
Rotor:	PES 30%GF
Ugradnja:	
Opseg temperature okruženja:	273 .. 313 K
Maksimalni radni pritisak:	1000 kPa
Dimenzija izlaza pumpe:	G 1 1/2
Nazivni pritisak:	PN 10
Dužina ugrađivanja:	180 mm
Tečnost:	
Dizana tečnost:	voda
Raspon temperature tečnosti:	275 .. 383 K
Selected liquid temperature:	333 K
Gustina:	983.2 kg/m ³
Elektro podaci:	
Potrebna snaga - P1:	3 .. 34 W
Frekvencija struje:	50 / 60 Hz
Potrebni napon:	1 x 230 V
Maksimalna potrošnja struje:	0.04 .. 0.32 A
Klasa zaštite (IEC 34-5):	X4D
Klasa izolacije (IEC 85):	F
Ugrađena zaštita motora:	NEMA
Termička zaštita:	ELEC
Kontrole:	
Aut. noć:	automtski redukovani noćni rad uključen
Položaj priklj. kutije:	6H
Ostali:	
Energija (EEI):	0.17
Neto masa:	2.21 kg
Bruto masa:	2.37 kg
Transportna zapremina:	0.004 m ³
Danski VVS Br.:	380463160
Swedish RSK No.:	5790516
Finnish LVI No.:	4615349
Norwegian NRF no.:	9043166
Country of origin:	DK
Custom tariff no.:	84137030

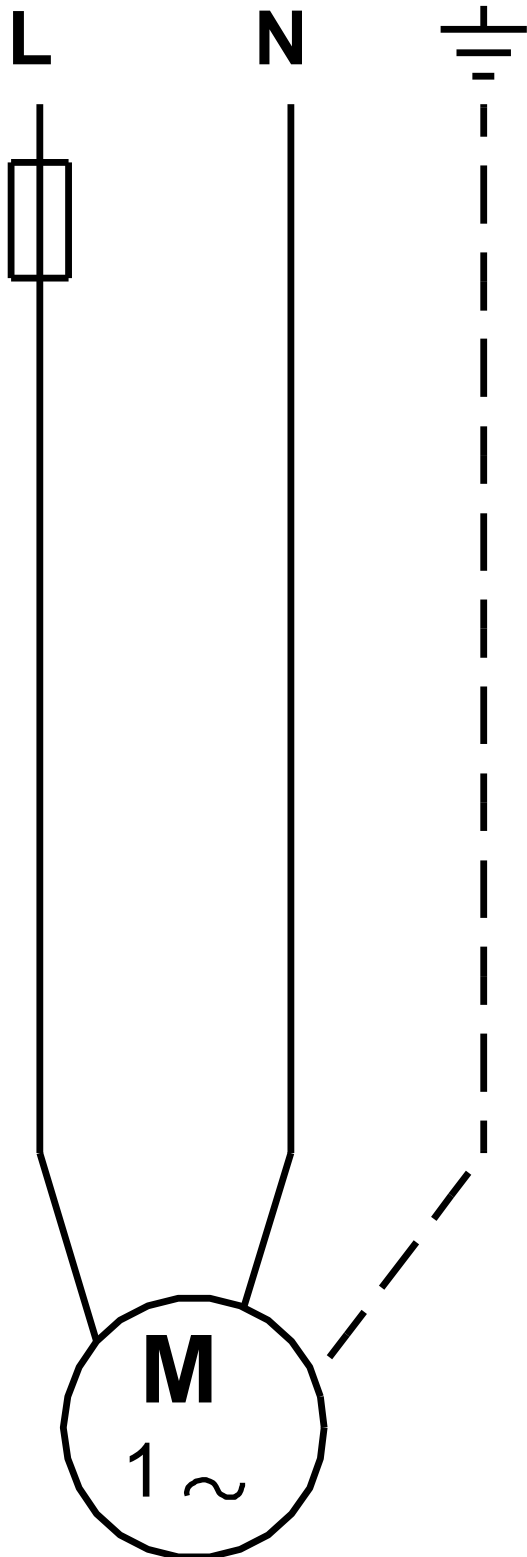


99411424 ALPHA2 25-60 N 180



Napomena! Sve jedinice su u [mm]ukoliko drugačije nije navedeno.
Upozorenje: Ovaj pojednostavljeni dimenzioni crtež ne pokazuje sve detalje.

99411424 ALPHA2 25-60 N 180



Pažnja! Sve jedinice su u [mm] ukoliko nije rečeno drugačije.